

10Gbps 40km Duplex LC CWDM SFP+ Transceiver PSP96-CXX40

Features

- ✓ Up to 11.3Gbps data links
- ✓ CWDM DFB Laser and PIN photo-detector
- ✓ Up to 40km on 9/125µm SMF
- ✓ Duplex LC receptacle optical interface compliant
- ✓ Hot pluggable
- ✓ All-metal housing for superior EMI performance
- ✓ RoHS6 compliant (lead free)
- ✓ Operating case temperature:
Commercial: -5°C to +70°C
Extended: -20°C to +80°C

Applications

- ✓ 10GBASE-ER
- ✓ 10G Fiber Channel

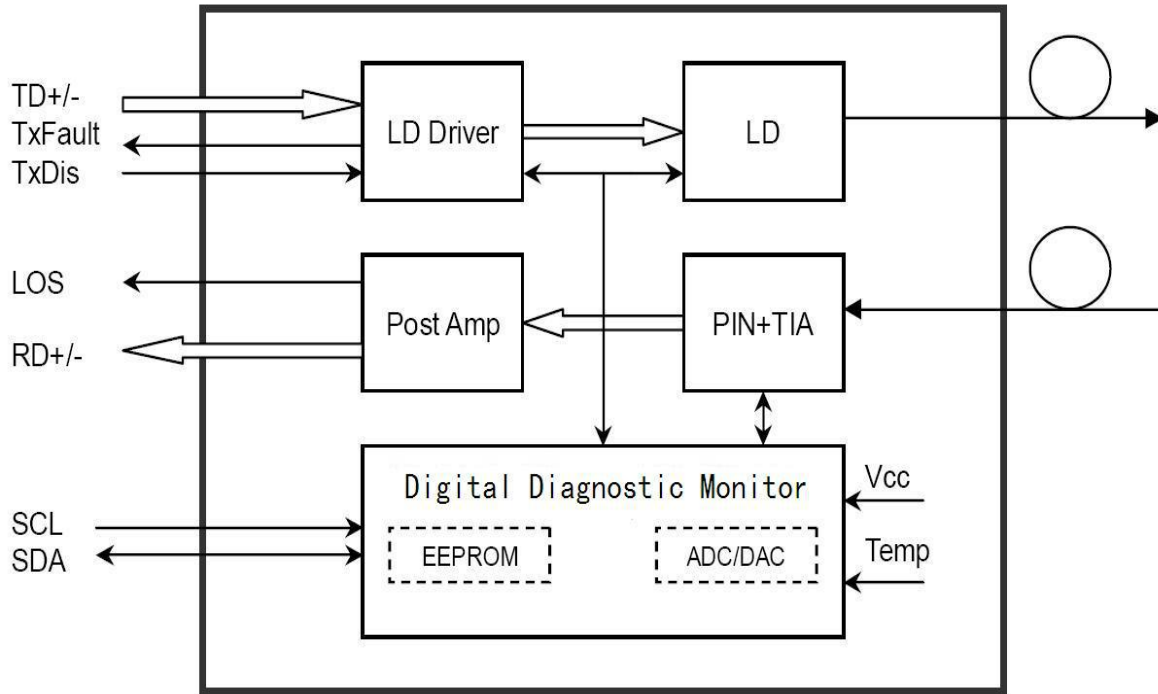
Standards

- ✓ Compliant with SFP+ MSA
- ✓ Compliant with SFF-8472
- ✓ Compatible with IEEE802.3ae

Description

The SFP+ transceivers are designed for use in 10-Gigabit Ethernet links up to 40km over Single Mode Fiber. The transceivers are compatible with SFP+ MSA and SFF-8472. For further information, please refer to SFP+ MSA and SFF-8472.

Module Block Diagram



Absolute Maximum Ratings

Parameter	Symbol	Min.	Typical	Max.	Unit
Power Supply Voltage	V _{CC}	0		3.6	V
Storage Temperature	T _s	-40		+85	°C
Relative Humidity	RH	0		85	%
RX Input Average Power	P _{max}	-		1.5	dBm

Recommended Operating Environment

Parameter	Symbol	Min.	Typical	Max.	Unit
Power Supply Voltage	V _{CC}	3.13	3.3	3.46	V
Power Supply Current	I _{CC}			300	mA
Operating Case Temperature	T _C	-5		+70	°C
		-20		+80	
Data Rate			10.3125		Gbps

Electrical Characteristics

Parameter	Symbol	Min.	Typical	Max.	Unit	Note
Transmitter Section						
Input Differential Impedance	R_{in}	90	100	110	Ω	
Differential Data Input Swing	$V_{in\ PP}$	180		700	mV	1
Transmit Disable Voltage	V_D	$V_{cc} - 1.3$		V_{cc}	V	
Transmit Enable Voltage	V_{EN}	V_{ee}		$V_{ee} + 0.8$	V	
Receiver Section						
Differential Data Output Swing	$V_{out\ PP}$	300		800	mV	
LOS Fault	$V_{los\ fault}$	$V_{cc} - 0.5$		V_{cc_host}	V	2
LOS Normal	$V_{los\ norm}$	V_{ee}		$V_{ee} + 0.5$	V	2

Notes:

1. Connected directly to TX data input pins. AC coupling from pins into laser driver IC.
2. LOS is an open collector output. Should be pulled up with 4.7k Ω – 10k Ω on the host board. Normal operation is logic 0; loss of signal is logic 1.

Optical Parameters

Parameter	Symbol	Min.	Typical	Max.	Unit	Note
Transmitter Section						
Centre Wavelength	λ_c	$\lambda_c - 6.5$	λ_c	$\lambda_c + 6.5$	nm	
Spectral Width(-20dB)	$\Delta\lambda$			1	nm	
Side Mode Suppression Ratio	SMSR	30			dB	
Average Optical Power (avg.)	P_{out}	-1		+3	dBm	1
Laser Off Power	P_{off}	-	-	-30	dBm	
Extinction Ratio	ER	3.5	-	-	dB	2
Relative Intensity Noise	RIN	-	-	-128	dB/Hz	
Transmitter Dispersion Penalty	TDP			3	dB	
Optical Rise/Fall Time	t_r / t_f		-	50	ps	3
Optical Return Loss Tolerance		-	-	12	dB	
Output Optical Eye	Compliant with IEEE802.3ae eye masks when filtered					2
Receiver Section						
Receiver Center Wavelength	λ_c	1260		1620	nm	
Receiver Sensitivity in Average Power	Sen	-15.0		-1	dBm	4
Los Assert	LOS_A	-30	-	-	dBm	
Los Dessert	LOS_D	-	-	-17	dBm	
Los Hysteresis	LOS_H	0.5	-	5	dB	
Overload	P_{in-max}	-	-	-1	dBm	4
Receiver Reflectance		-	-	-12	dB	
Receiver Power (damage)		-	-	1.5	dBm	

Notes:

1. The optical power is launched into 9/125µm SMF.
2. Measured with a PRBS $2^{31}-1$ test pattern @10.3125Gbps.
3. Unfiltered, 20-80%. Measured with a PRBS $2^{31}-1$ test pattern @10.3125Gbps.
4. Measured with a PRBS $2^{31}-1$ test pattern @10.3125Gbps, ER=4dB, BER $<10^{-12}$.

Timing Characteristics

Parameter	Symbol	Min.	Typical	Max.	Unit
TX_Disable Assert Time	t_off			100	us
TX_Disable Negate Time	t_on			2	ms
Time to Initialize	t_start_up			300	ms
Tx_Fault Assert	t_fault_on			1	ms
Tx_Fault Reset	t_reset	10			us
Rx_LOS Assert Delay	t_los_on			100	us
Rx_LOS Negate Delay	t_los_off			100	us
Clock Frequency	f _{SCL}	0		400	kHz

Digital Diagnostic Monitor Characteristics (DDM)

The following digital diagnostic characteristics are defined over the Recommended Operating Environment unless otherwise specified. It is compliant to SFF8472 Rev10.2 with internal calibration mode. For external calibration mode please contact our sales staff.

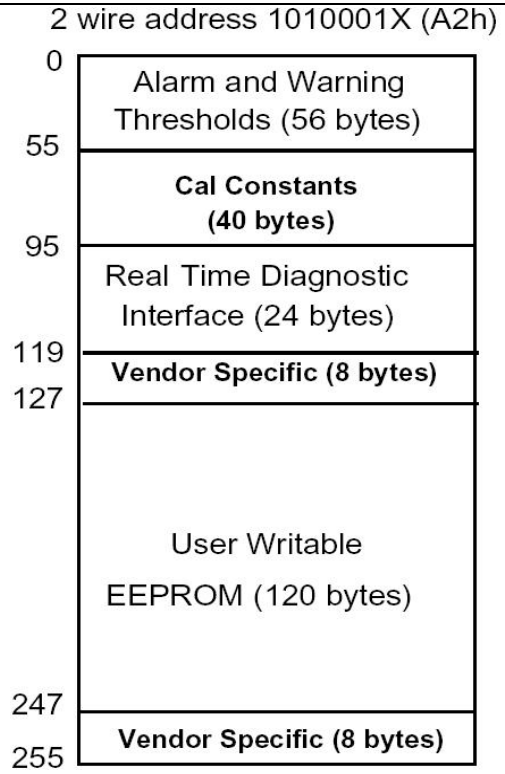
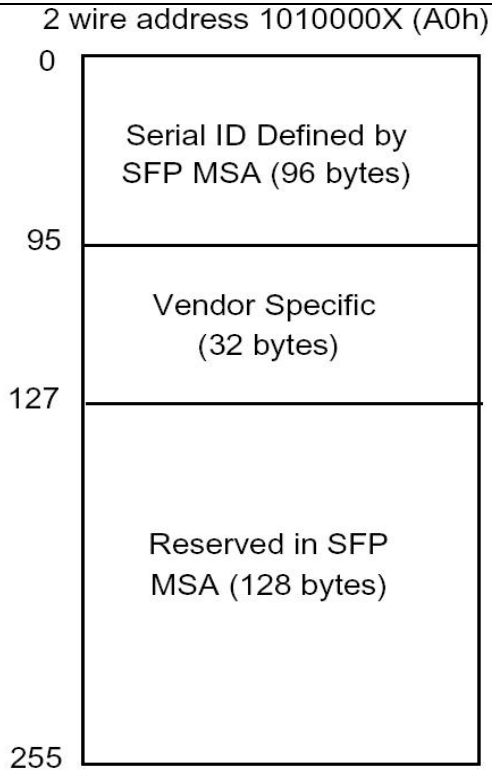
Parameter	Symbol	Min.	Max.	Unit
Temperature Monitor Absolute Error	DMI_Temp	-3	3	°C
Laser Power Monitor Absolute Error	DMI_TX	-3	3	dB
RX Power Monitor Absolute Error	DMI_RX	-3	3	dB
Supply Voltage Monitor Absolute Error	DMI_VCC	-3%	3%	V
Bias Current Monitor Absolute Error	DMI_Ibias	-10%	10%	mA

Digital Diagnostic Memory Map (Compliant with SFF-8472)

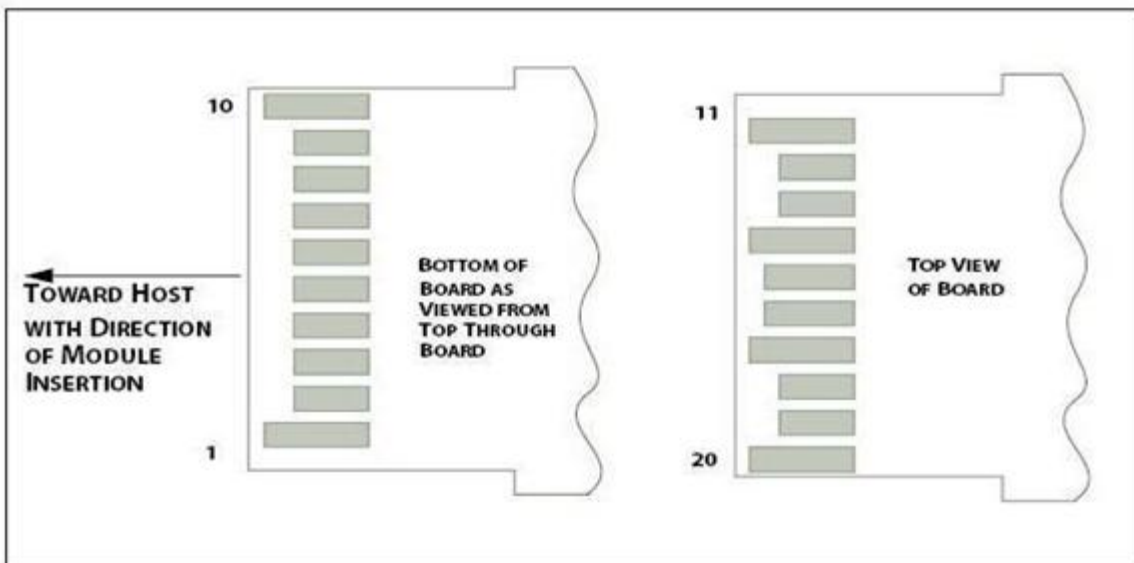
The transceivers provide serial ID memory contents and diagnostic information about the present operating conditions by the 2-wire serial interface (SCL, SDA).

The diagnostic information with internal calibration or external calibration all are implemented, including received power monitoring, transmitted power monitoring, bias current monitoring, supply voltage monitoring and temperature monitoring.

The digital diagnostic memory map specific data field defines as following (For further information, please refer to SFF-8472).



Pin Definitions



SFP+ module contact assignment

Pin Descriptions

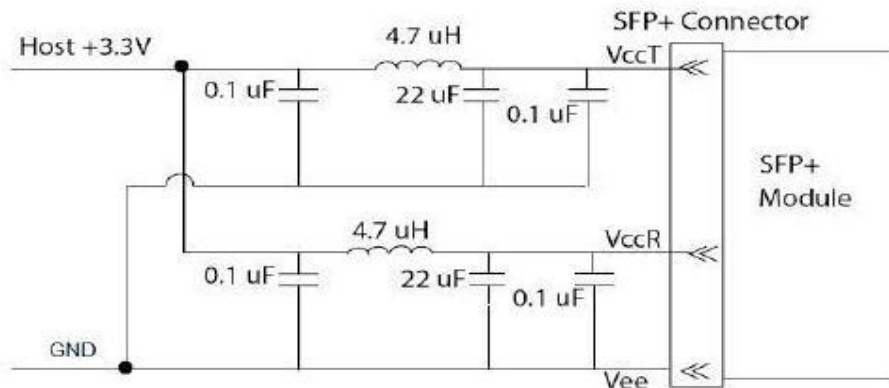
Pin	Signal Name	Description	Plug Seq.	Notes
1	VeeT	Module Transmitter Ground	1	1
2	TX FAULT	Module Transmitter Fault	3	
3	TX Disable	Transmitter Disable; Turns off transmitter laser output	3	
4	SDA	2-Wire Serial Interface Data Line	3	2
5	SCL	2-Wire Serial Interface Clock	3	2
6	Mod_ABS	Module Definition, Grounded in the module	3	
7	RS0	Receiver Rate Select (not used)	3	
8	LOS	Receiver Loss of Signal Indication Active LOW	3	
9	RS1	Transmitter Rate Select (not used)	3	
10	VeeR	Module Receiver Ground	1	1
11	VeeR	Module Receiver Ground	1	1
12	RD-	Receiver Inverted Data Output	3	
13	RD+	Receiver Non-Inverted Data Output	3	
14	VeeR	Module Receiver Ground	1	1
15	VccR	Module Receiver 3.3 V Supply	2	
16	VccT	Module Transmitter 3.3 V Supply	2	
17	VeeT	Module Transmitter Ground	1	1
18	TD+	Transmitter Non-Inverted Data Input	3	
19	TD-	Transmitter Inverted Data Input	3	
20	VeeT	Module Transmitter Ground	1	1

Notes:

Plug Seq.: Pin engagement sequence during hot plugging.

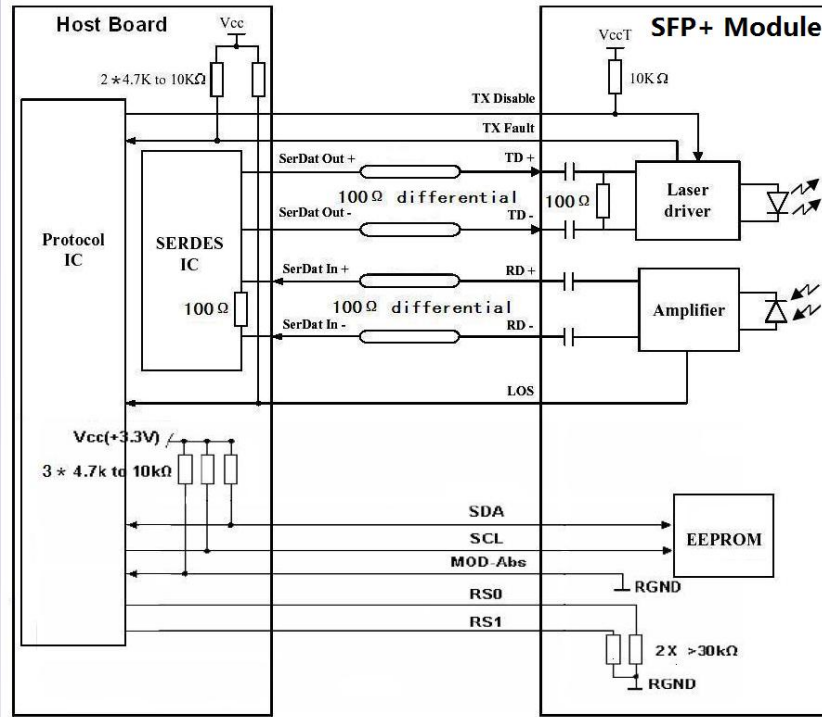
1. Module ground pins GND are isolated from the module case.
2. Shall be pulled up with 4.7K-10Kohms to a voltage between 3.15V and 3.45V on the host board.

Recommended Power Interface Circuit

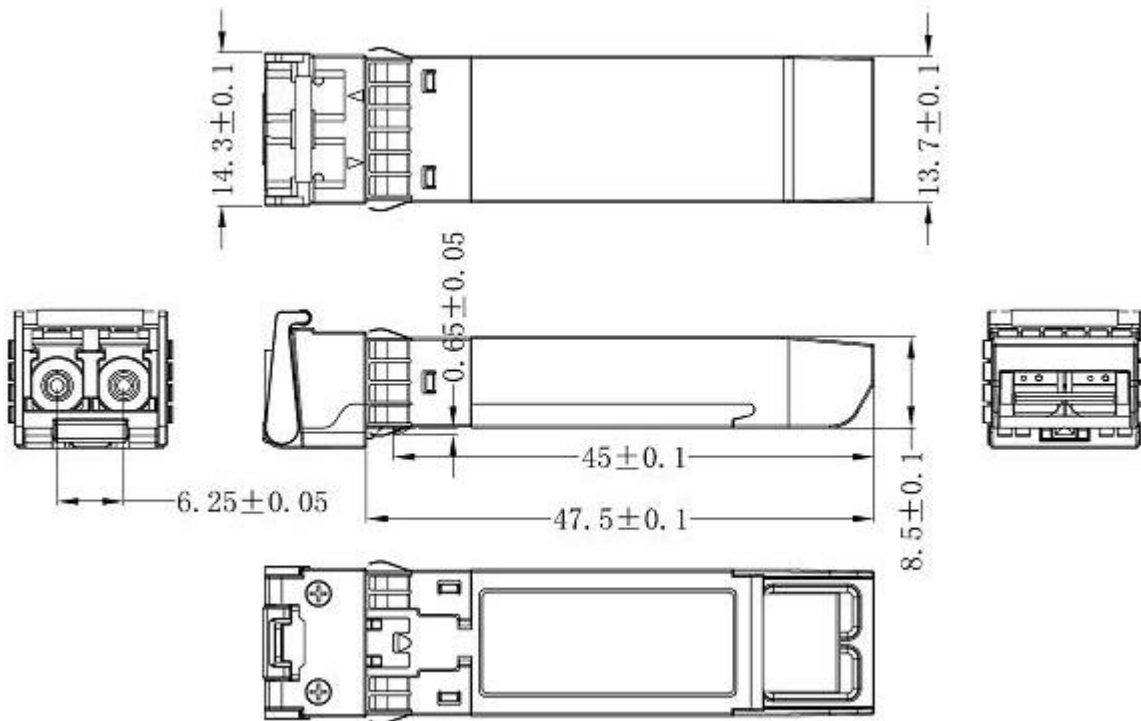


Host Board Power Supply Filters Circuit

Recommended Interface Circuit



Mechanical Dimensions



Ordering information

Part Number	Product Description
PSP96-CXX40	CWDM-XX, 10Gbps, 40km, Duplex LC CWDM SFP+ Transceiver, -5°C ~ +70°C, With DDM.
PSP96-CXX40E	CWDM-XX, 10Gbps, 40km, Duplex LC CWDM SFP+ Transceiver, -20°C ~ +80°C, With DDM.

Wavelength	xx	Clasp Color Code	Wavelength	xx	Clasp Color Code
1271nm	27	Gray			
1291nm	29	Violet			
1311nm	31	Blue			
1331nm	33	Green			

References

1. "Specifications for Enhanced Small Form Factor Pluggable Module SFP+", SFF-8431, Rev 4.1, July 6, 2009.
2. "Improved Pluggable Form factor", SFF-8432, Rev 4.2, Apr 18, 2007.
3. "Diagnostic Monitoring Interface for Optical Transceivers" SFF-8472, Rev 10.2, June 1, 2007.
4. IEEE802.3ae 2002.

Important Notice

Performance figures, data and any illustrative material provided in this data sheet are typical and must be specifically confirmed in writing by PRIMUS IT before they become applicable to any particular order or contract. In accordance with the PRIMUS IT policy of continuous improvement specifications may change without notice. The publication of information in this data sheet does not imply freedom from patent or other protective rights of PRIMUS IT or others. Further details are available from any PRIMUS IT sales representative.

Contact Information

PRIMUS IT LIMITED

- 1、HongKong: RM M4/F Continental Mansion 300 King's RD HK
- 2、Tel:+86 0755-25924025
- 3、Fax:+86 0755-25924051
- 4、Website: <http://www.primus-it.com>
- 5、Email: sales@primus-it.com