

1000-BASE-T Copper SFP+ Transceiver PSP12-T

Features

- ✓ Hot-pluggable SFP Footprint
- ✓ Fully Metallic Enclosure for Low EMI
- ✓ Low Power Dissipation
- ✓ Compact RJ-45 Connector Assembly
- ✓ Detailed Product Information in EEPROM
- ✓ +3.3V Single Power Supply
- ✓ Access to Physical Layer IC via 2-wire Serial Bus
- ✓ 1000-BASE-T Operation in Host Systems with SGMII Interface
- ✓ Compliant with SFP MSA
- ✓ Compliant with IEEE 802.3TM-2002
- ✓ Operating case temperature range of 0°C to +70°C

Applications

- ✓ Switch/Route to Switch/Route Link
- ✓ LAN1000Base-T
- ✓ High Speed I/O for File Servers
- ✓ Gigabit Ethernet over Cat 5 cable

Cable Length

Standard	Cable	Reach	Host Port
1000base-T	CAT5	100m	SGMII

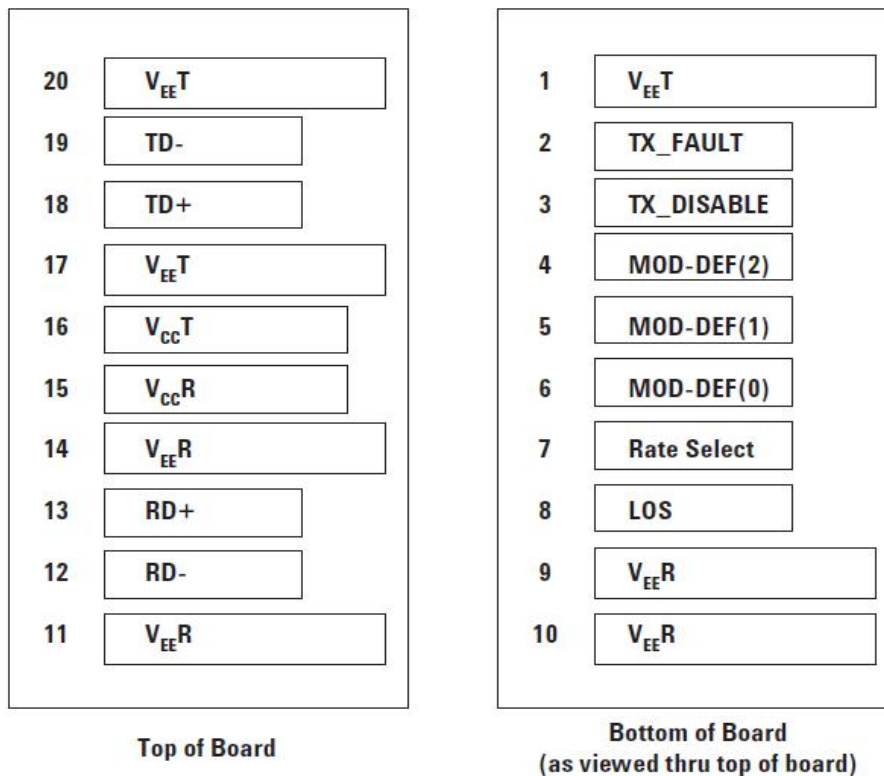
Description

The Copper SFP Transceiver 1000Base-T only SFP Copper Transceiver is high performance, cost effective module, compliant with the Gigabit Ethernet and 1000BASE-T standards as specified in IEEE 802. 3-2002 and IEEE 802.3ab, which supports 1000Mb/s data-rate up to 100 meters reach over twisted-pair category 5 cable.

The Copper SFP Transceiver supports 1000 Mb/s full duplex data-links with 5-level Pulse Amplitude Modulation (PAM) signals. All four pairs in the cable are used with symbol rate at 250Mb/s on each pair.

The Copper SFP Transceiver provides standard serial ID information compliant with SFP MSA, which can be accessed with address of A0h via the 2-wire serial CMOS EEPROM protocol. The physical IC can also be accessed via 2-wire serial bus at address ACh. The address of the PHY is 1010110x where x is the R/W bit.

Pin Definitions



Pin Descriptions

Pin	Signal Name	Description	Notes
1	VeeT	Module Transmitter Ground	1
2	Tx_Fault	Transmitter Fault. Not supported, Grounded in module	2
3	Tx_Disable	Transmitter Disable - Module disables on high or open	3
4	MOD_DEF(2)	Module Definition 2. Data line for Serial ID.	
5	MOD_DEF(1)	Module Definition 1. Clock line for Serial ID.	

6	MOD_DEF(0)	Module Absent, connected to VeeT or VeeR in the module	
7	Rate Select	No connection	
8	Rx_LOS	Loss of Signal - High Indicates Loss of Signal	2
9	VeeR	Module Receiver Ground	1
10	VeeR	Module Receiver Ground	1
11	VeeR	Module Receiver Ground	1
12	RD-	Receiver Inverted Data Output	5
13	RD+	Receiver Non-Inverted Data Output	5
14	VeeR	Module Receiver Ground	1
15	VccR	Module Receiver 3.3 V Supply	4
16	VccT	Module Transmitter 3.3 V Supply	4
17	VeeT	Module Transmitter Ground	1
18	TD+	Transmitter Non-Inverted Data Input	6
19	TD-	Transmitter Inverted Data Input	6
20	VeeT	Module Transmitter Ground	1

Note:

1. The module signal ground contacts, VeeR and VeeT, should be isolated from the module case.
2. TX Fault is not used and is always tied to ground.
3. TX Disable as described in the MSA is not applicable to the 1000BASE-T module, but is used for convenience as an input to reset the internal ASIC. This pin is pulled up within the module with a 4.7kΩ to 10kΩ resistor.

Low (0–0.8 V): Transceiver on

Between (0.8 V and 2.0 V): Undefined

High (2.0–3.465 V): Transceiver in reset disable state

Open: Transceiver in reset disable state

4. VCCR and VCCT are the receiver and transmitter power supplies. They are defined as 3.3 V ± 5% at the SFP connector pin. The maximum supply current is about 300mA and the associated in-rush current will typically be no more than 30 mA above steady state after 500 nanoseconds.
5. RD-/+ : These are the differential receiver outputs. They are ac coupled 100 ohm differential lines which should be terminated with 100 ohm differential at the user SERDES. The ac coupling is done inside the module and is thus not required on the host board. The voltage swing on these lines will be between 600 and 2000 mV differential when properly terminated. These levels are compatible with CML and LVPECL voltage swings.
6. TD-/+ : These are the differential transmitter inputs. They are ac coupled differential lines with 100 ohm differential termination inside the module. The ac coupling is done inside the module and is thus not required on the host board. The inputs will accept differential swings of 500 – 2400 mV, though it is recommended that values between 500 and 1200 mV differential (250 – 600 mV single ended) be used for best EMI performance. These levels are compatible with CML and LVPECL voltage swings.

Electrical Power Interface

Parameter	Symbol	Min.	Typical	Max.	Unit	Note
Supply Current	I_s		300	350	mA	
Input Voltage	V_{CC}	3.13	3.3	3.47	V	Referenced to GND
Maximum Voltage	V_{max}			3.6	V	

Low-speed signals, electronic characteristics

Parameter	Symbol	Min.	Max.	Unit	Note
SFP+ Output LOW	VOL	0	0.5	V	4.7k to 10k pull-up to host_Vcc, measured at host side of connector
SFP+ Output HIGH	VOH	host_Vcc - 0.5	host_Vcc + 0.3	V	
SFP+ Input LOW	VIL	0	0.8	V	4.7k to 10k pull-up to Vcc, measured at SFP side of connector
SFP+ Input HIGH	VIH	2	Vcc + 0.3	V	

High-speed electrical interface, transmission line-SFP

Parameter	Symbol	Min.	Typical	Max.	Unit	Note
Line Frequency	fL		125		MHz	5-level encoding, per IEEE 802.3
Tx Output Impedance	Zout,TX		100		Ohm	Differential, for all Frequencies between 1MHz and 1250MHz
Rx Input Impedance	Zin,RX		100		Ohm	

High-speed electrical interface, host-SFP

Parameter	Symbol	Min.	Typical	Max.	Unit	Note
Single Ended Data Input Swing	Vin	250		1200	mV	
Single Ended Data Output Swing	Vout	300		1000	mV	
Rise/Fall Time	Tr,Tf			250	ps	20%-80%
Tx Input Impedance	Zin		100		Ohm	Differential
Rx Output Impedance	Zout		100		Ohm	Differential

General specifications

Parameter	Symbol	Min.	Typical	Max.	Unit	Note
Data Rate	BR		1000		Mbps	IEEE 802.3 compatible.
Cable Length	L			100	m	Category 5 UTP. BER <10-12

Notes:

1. Clock tolerance is +/- 50 ppm
2. By default, the YSP96-T is a full duplex device in preferred master mode
3. Automatic crossover detection is enabled. External crossover cable is not required

Environmental specifications

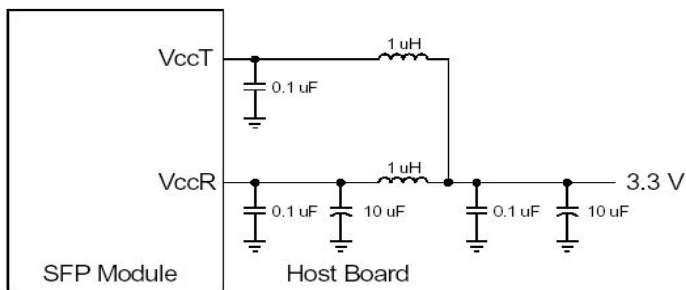
Parameter	Symbol	Min.	Typical	Max.	Unit
Power Supply Voltage	V _{CC}	0		3.6	V
Storage Temperature	T _s	-40		+85	°C
Operating Case Temperature	T _c	0		70	°C

EEPROM Information

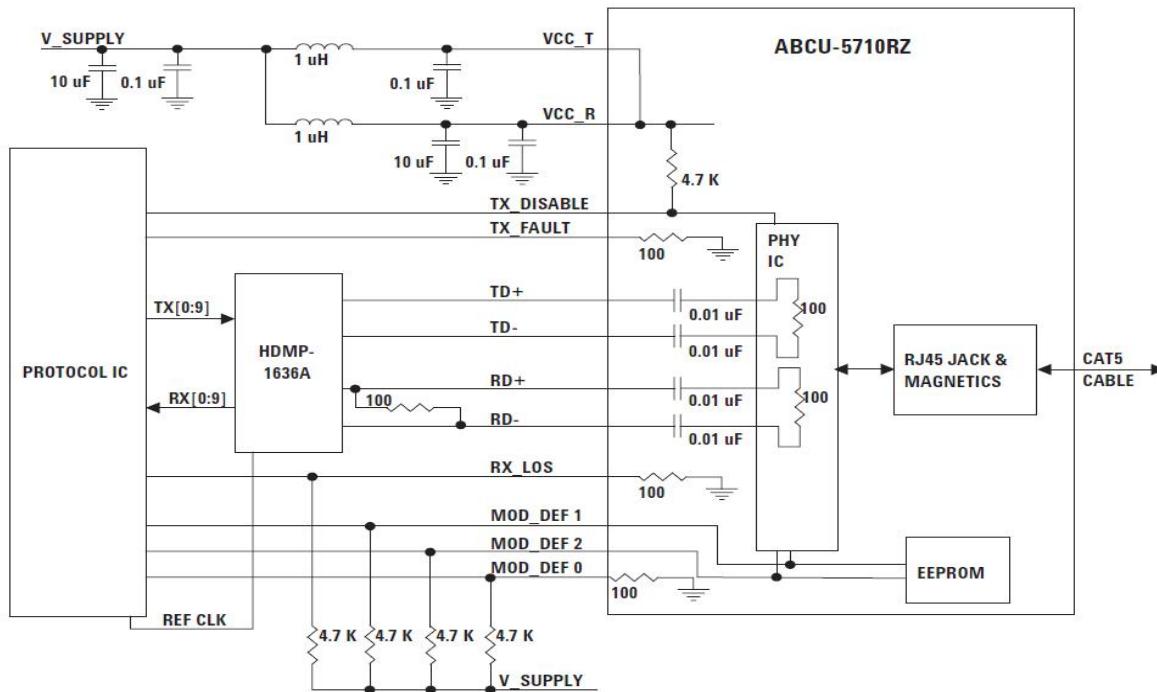
Address	Byte	Name	Description and Contents	Hex
0	1	Identifier	Type of Serial transceiver (SFP)	03
1	1	Reserved	Extended identifier of type serial transceiver (MOD4)	04
2	1	Connector	Code of optical connector type (Copper)	22
3-10	8	Transceiver	Gigabit Ethernet 1000Base-T Copper	00 00 00 08 00 00 00 00
11	1	Encoding	8B10B	01
12	1	BR, Nominal	1.25G/s	0d
13	1	Reserved		00
14	1	Length (9um)	Link length supported for 9/125um fiber, units of 1km	00
15	1	Length(9um)	Link length supported for 9/125um fiber, units of 100m	00
16	1	Length(50um)	Link length supported for 50/125um fiber, units of 10m	00
17	1	Length(62.5um)	Link length supported for 62.5/125um fiber, units of 10m	00
18	1	Length(Copper)	Link length supported for copper, units of meters	64
19	1	Reserved		00
20-35	16	Vendor Name	"PRIMUS IT"(ASCII)	
36	1	Reserved		00
37-39	3	Vendor OUI	SFP transceiver vendor OUI ID	00 00 00
40-55	16	Vendor PN	Part Number: "PSP12-T" (ASCII)	
56-59	4	Vendor rev	Revision level for part number (means 1.0 revision)	31 30 20 20
60-61	2	Wavelength	Least significant byte of Check sum of data in address 0-62	00 00
62	1	Reserved		00

63	1	CCID	Least significant byte of Check sum of data in address 0-62	xx
64-65	2	Option	Indicates which optical SFP signals are implemented	00 10
66	1	BR, max	Upper bit rate margin, units of %	00
67	1	BR, min	Lower bit rate margin, units of %	00
68-83	16	Vendor SN	Serial number (ASCII)	xx
84-91	8	Date code	Manufacturing date code Year (4 bytes), Month (2 bytes), Day (2 bytes)	xx
92-94	3	Reserved		00 00 00
95	1	CC_EX	Check code for the extended ID Fields (addresses 64 to 94)	xx
96-127	32	Vendor specific	specific date, read only	

Recommended Host Board Power Supply Circuit

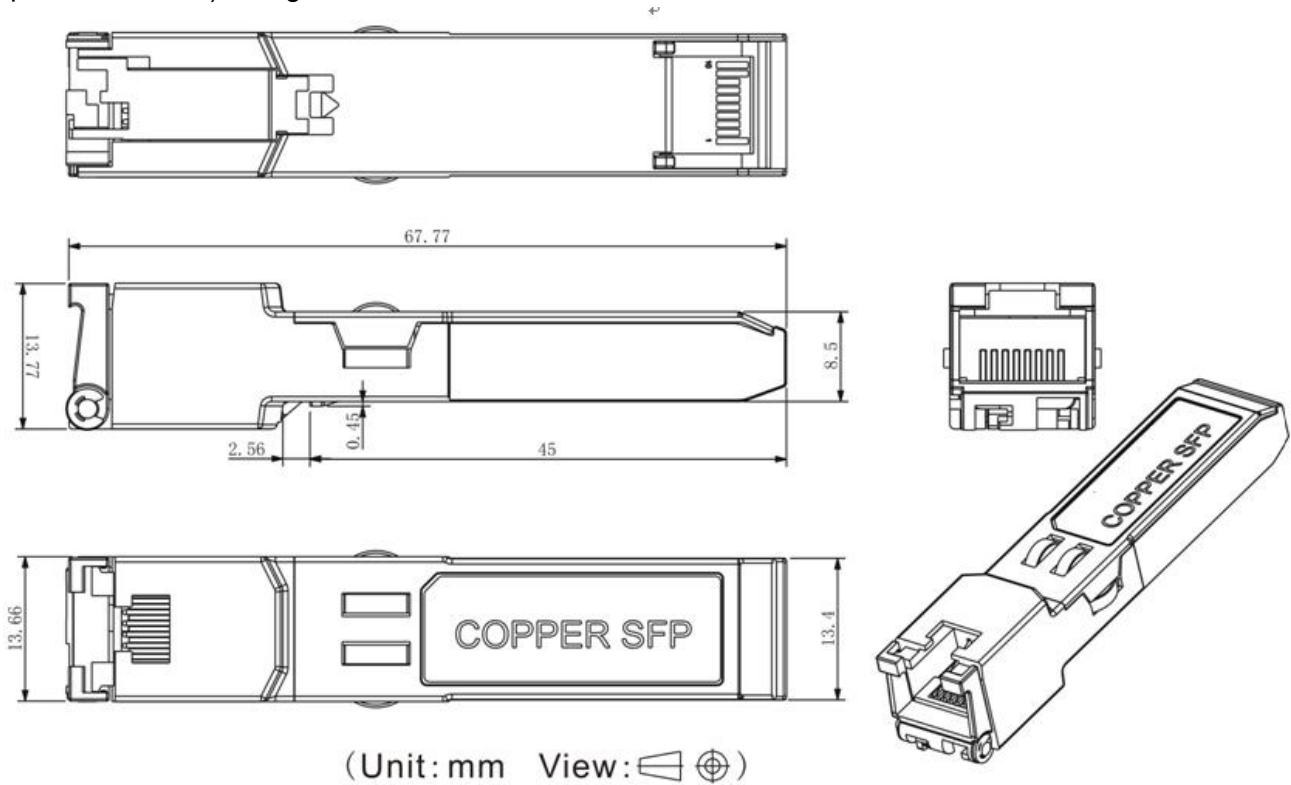


Recommended Interface Circuit



Mechanical Specifications

The mechanical specifications outlined in the SFP MSA. The front portion of the SFP (part extending beyond the face plate of the host) is larger to accommodate the RJ-45 connector.



Regulatory Compliance

Feature	Standard
Environmental protection	2011/65/EU
CE EMC	EN55032: 2015
	EN55024: 2010+A1
FCC	47 CFR PART 15 OCT., 2013

Ordering Information

Part number	Speed mode	MAC interface	TX Disable function	Link Indicator on RX_LOS Pin	Temp
PSP12-T	1000Mbps	SGMII Interface	YES	No	0~70°C

References

1. Small Form Factor Pluggable (SFP) Transceiver Multi-Source Agreement (MSA), September 2000.
2. IEEE Std802.3, 2002 Edition. IEEE Standards Department, 2002.
3. "AT24C01A/02/04/08/16 2-Wire Serial CMOS E2PROM", Atmel Corporation.www.Atmel.com
4. "Alaska Ultra 88E1111 Integrated 10/100/1000 Gigabit Ethernet Transceiver", Marvell Corporation.
www.marvell.com

Important Notice

Performance figures, data and any illustrative material provided in this data sheet are typical and must be specifically confirmed in writing by PRIMUS IT before they become applicable to any particular order or contract. In accordance with the PRIMUS IT policy of continuous improvement specifications may change without notice. The publication of information in this data sheet does not imply freedom from patent or other protective rights of PRIMUS IT or others. Further details are available from any PRIMUS IT sales representative.

Contact Information

PRIMUS IT LIMITED

- 1、 HongKong: RM M4/F Continental Mansion 300 King's RD HK
- 2、 Tel:+86 0755-25924025
- 3、 Fax:+86 0755-25924051
- 4、 Website: <http://www.primus-it.com>
- 5、 Email: sales@primus-it.com