

1.25Gbps 120km Duplex LC SFP Transceiver**PSP12-551B****Features**

- ✓ Up to 1.25Gbps data links
- ✓ 1550nm DFB Laser and PIN photo-detector
- ✓ Up to 120km on 9/125µm SMF
- ✓ Duplex LC receptacle optical interface compliant
- ✓ Hot pluggable
- ✓ All-metal housing for superior EMI performance
- ✓ RoHS6 compliant (lead free)
- ✓ Operating case temperature:
Commercial: -5°C to +70°C
Extended: -20°C to +80°C
Industrial: -40°C to +85°C

Applications

- ✓ Gigabit Ethernet
- ✓ Fiber Channel
- ✓ Switch to Switch interface
- ✓ Switched backplane applications
- ✓ Router/Server interface
- ✓ Other optical transmission systems

Standards

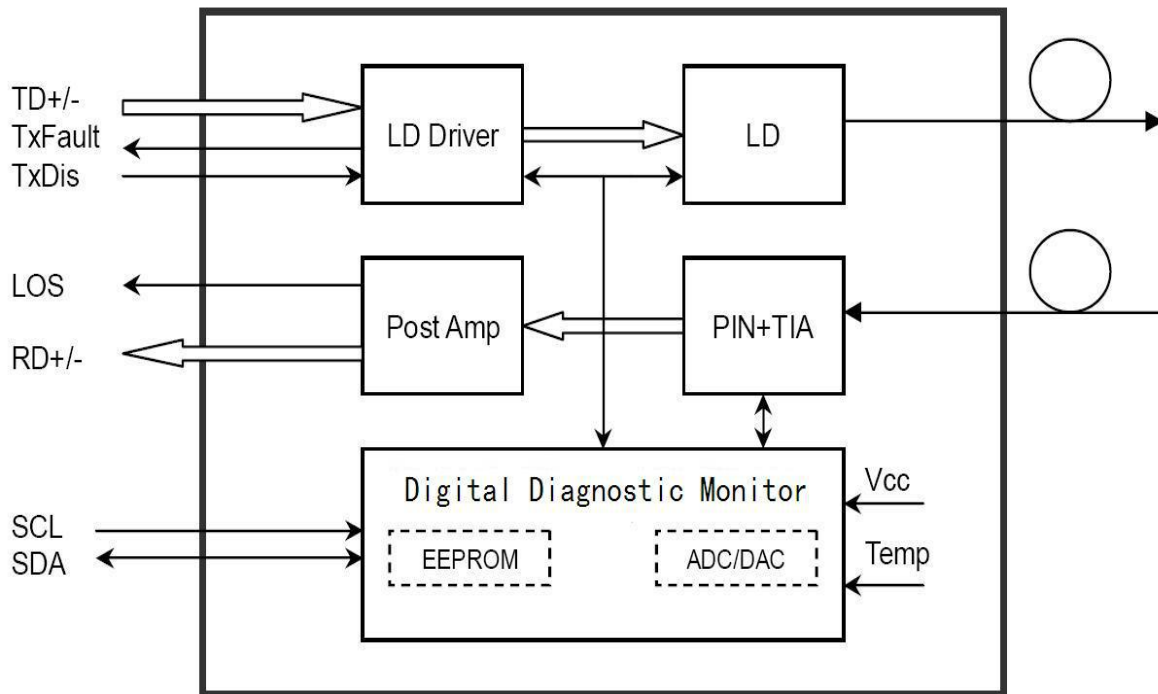
- ✓ Compliant with SFP MSA
- ✓ Compliant with SFF-8472
- ✓ Compatible with IEEE802.3ah 2004

Description

The SFP transceivers are high performance, cost effective modules supporting data-rate of 1.25Gbps and 120km transmission distance with SMF.

The transceivers are compatible with SFP Multi-Source Agreement (MSA) and SFF-8472. For further information, please refer to SFP MSA and SFF-8472.

Module Block Diagram



Absolute Maximum Ratings

| Parameter | Symbol | Min. | Typical | Max. | Unit |
|----------------------------|------------------|------|---------|------|------|
| Power Supply Voltage | V _{CC} | 0 | | 3.6 | V |
| Storage Temperature | T _s | -40 | | +85 | °C |
| Operating Case Temperature | T _c | -40 | | +85 | °C |
| Relative Humidity | RH | 0 | | 85 | % |
| RX Input Average Power | P _{max} | - | | 0 | dBm |

Recommended Operating Environment

| Parameter | Symbol | Min. | Typical | Max. | Unit |
|----------------------------|-----------------|------|---------|------|------|
| Power Supply Voltage | V _{CC} | 3.13 | 3.3 | 3.46 | V |
| Power Supply Current | I _{CC} | | | 300 | mA |
| Operating Case Temperature | Commercial | -5 | | +70 | °C |
| | Extended | -20 | | +80 | |
| | Industrial | -40 | | +85 | |
| Data Rate | | | 1.25 | | Gbps |

Electrical Characteristics

| Parameter | Symbol | Min. | Typical | Max. | Unit | Note |
|--------------------------------|------------------|----------------|---------|----------------|----------|------|
| Transmitter Section | | | | | | |
| Input Differential Impedance | R_{in} | 90 | 100 | 110 | Ω | |
| Single Ended Data Input Swing | $V_{in\ PP}$ | 250 | | 1000 | mV | 1 |
| Transmit Disable Voltage | V_D | $V_{cc} - 1.3$ | | V_{cc} | V | |
| Transmit Enable Voltage | V_{EN} | V_{ee} | | $V_{ee} + 0.8$ | V | |
| Receiver Section | | | | | | |
| Single Ended Data Output Swing | $V_{out\ PP}$ | 300 | | 600 | mV | |
| LOS Fault | $V_{los\ fault}$ | $V_{cc} - 0.5$ | | V_{cc_host} | V | 2 |
| LOS Normal | $V_{los\ norm}$ | V_{ee} | | $V_{ee} + 0.5$ | V | 2 |

Notes:

1. Connected directly to TX data input pins. AC coupling from pins into laser driver IC.
2. LOS is an open collector output. Should be pulled up with 4.7k Ω – 10k Ω on the host board. Normal operation is logic 0; loss of signal is logic 1.

Optical Parameters

| Parameter | Symbol | Min. | Typical | Max. | Unit | Note |
|---------------------------------------|---|------|---------|------|-------|------|
| Transmitter Section | | | | | | |
| Centre Wavelength | λ_c | 1530 | 1550 | 1570 | nm | |
| Spectral Width (-20dB) | $\Delta\lambda$ | | | 1 | nm | |
| Side Mode Suppression Ratio | SMSR | 30 | - | - | dB | |
| Average Optical Power (avg.) | P_{out} | 0 | | +5 | dBm | 1 |
| Laser Off Power | P_{off} | - | - | -45 | dBm | |
| Extinction Ratio | ER | 10 | - | - | dB | 2 |
| Relative Intensity Noise | RIN | - | - | -128 | dB/Hz | |
| Optical Rise/Fall Time | t_r / t_f | | - | 260 | ps | 3 |
| Optical Return Loss Tolerance | | - | - | 12 | dB | |
| Output Optical Eye | Compliant with IEEE802.3z eye masks when filtered | | | | | 2 |
| Receiver Section | | | | | | |
| Receiver Center Wavelength | λ_c | 1260 | | 1620 | nm | |
| Receiver Sensitivity in Average Power | Sen | -31 | | -3 | dBm | 4 |
| Los Assert | LOS_A | -40 | - | - | dBm | |
| Los Dessert | LOS_D | - | - | -32 | dBm | |
| Los Hysteresis | LOS_H | 0.5 | - | 5 | dB | |
| Overload | P_{in-max} | - | - | -3 | dBm | 4 |
| Receiver Reflectance | | - | - | -12 | dB | |
| Receiver Power (damage) | | - | - | 0 | dBm | |

Notes:

1. The optical power is launched into 9/125µm SMF.
2. Measured with a PRBS 2^7-1 test pattern @1.25Gbps.
3. Unfiltered, 20-80%. Measured with a PRBS 2^7-1 test pattern @1.25Gbps.
4. Measured with a PRBS 2^7-1 test pattern @1.25Gbps, ER=10dB, BER 10^{-12}.

Timing Characteristics

| Parameter | Symbol | Min. | Typical | Max. | Unit |
|--|-------------------------|------|---------|------|------|
| TX_Disable Assert Time | t_off | | | 10 | us |
| TX_Disable Negate Time | t_on | | | 1 | ms |
| Time to Initialize Include Reset of TX_FAULT | t_init | | | 300 | ms |
| TX_FAULT from Fault to Assertion | t_fault | | | 100 | us |
| TX_Disable Time to Start Reset | t_reset | 10 | | | us |
| Receiver Loss of Signal Assert Time | T _A , RX_LOS | | | 100 | us |
| Receiver Loss of Signal Deassert Time | T _d , RX_LOS | | | 100 | us |
| Rate-Select Change Time | t_ratesel | | | 10 | us |
| Serial ID Clock Time | f_serial-clock | | | 100 | kHz |

Digital Diagnostic Monitor Characteristics (DDM)

The following digital diagnostic characteristics are defined over the Recommended Operating Environment unless otherwise specified. It is compliant to SFF8472 Rev10.2 with internal calibration mode. For external calibration mode please contact our sales staff.

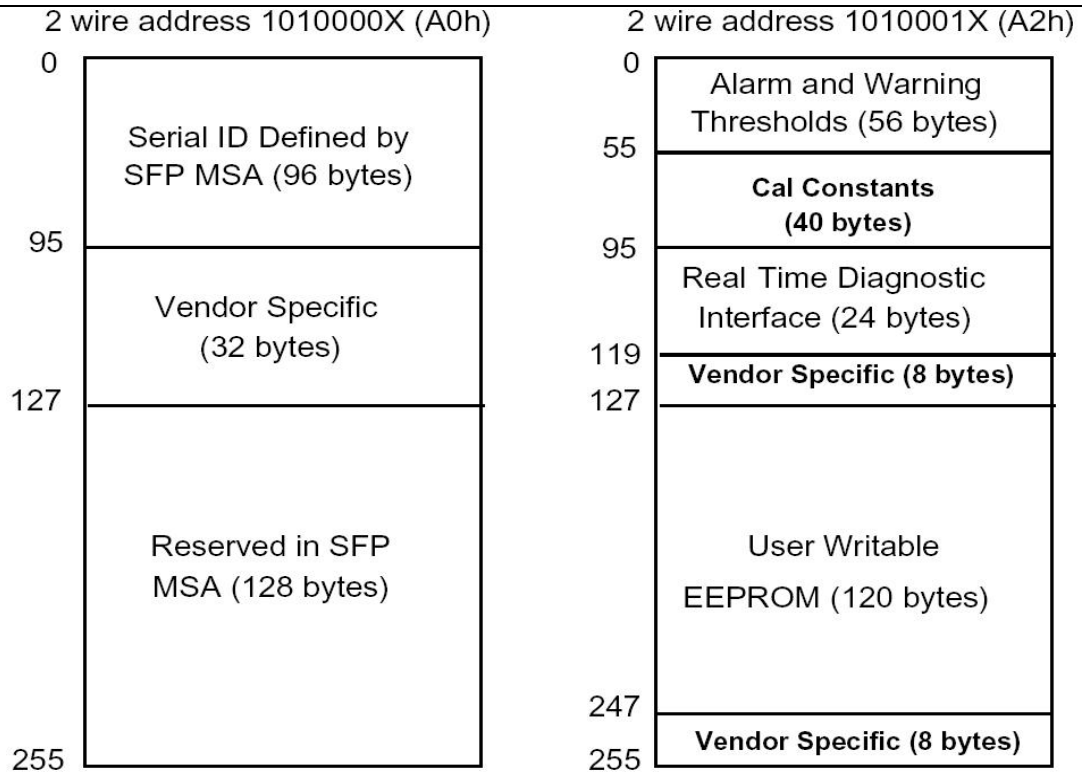
| Parameter | Symbol | Min. | Max. | Unit |
|---------------------------------------|-----------|------|------|------|
| Temperature Monitor Absolute Error | DMI_Temp | -3 | 3 | °C |
| Laser Mower Monitor Absolute Error | DMI_TX | -3 | 3 | dB |
| RX Power Monitor Absolute Error | DMI_RX | -3 | 3 | dB |
| Supply Voltage Monitor Absolute Error | DMI_VCC | -3% | 3% | V |
| Bias Current Monitor Absolute Error | DMI_Ibias | -10% | 10% | mA |

Digital Diagnostic Memory Map (Compliant with SFF-8472)

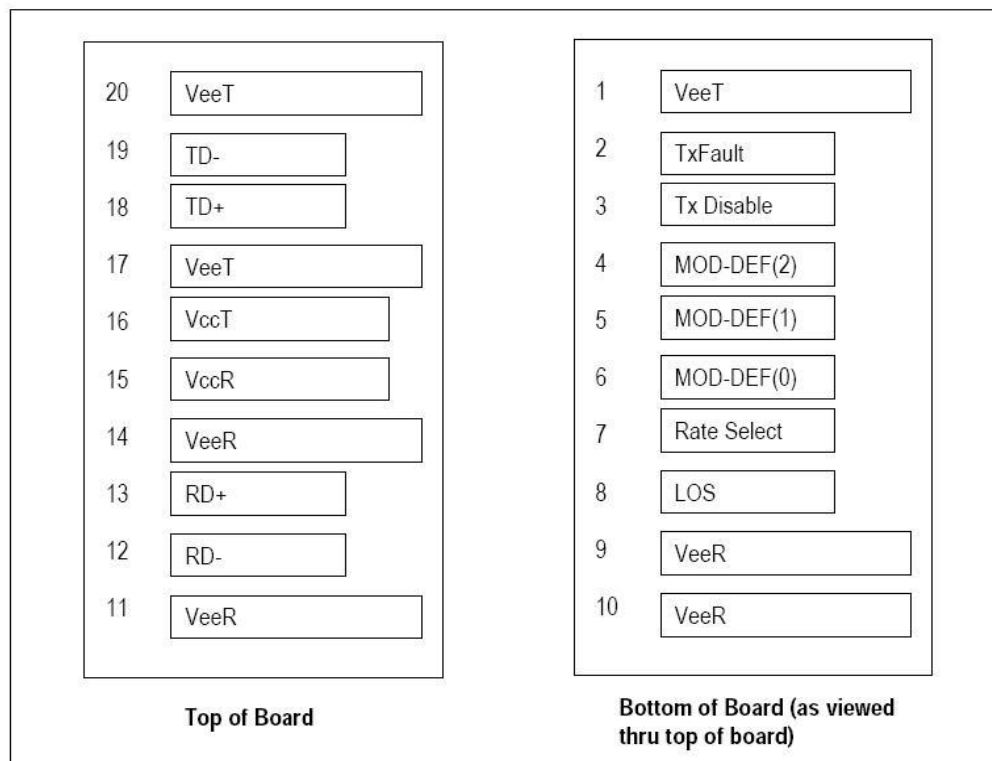
The transceivers provide serial ID memory contents and diagnostic information about the present operating conditions by the 2-wire serial interface (SCL, SDA).

The diagnostic information with internal calibration or external calibration all are implemented, including received power monitoring, transmitted power monitoring, bias current monitoring, supply voltage monitoring and temperature monitoring.

The digital diagnostic memory map specific data field defines as following (For further information, please refer to SFF-8472).



Pin Definitions



Pin Descriptions

| Pin | Signal Name | Description | Plug Seq. | Notes |
|-----|-------------|---|-----------|-------|
| 1 | VeeT | Transmitter Ground | 1 | |
| 2 | TX FAULT | Transmitter Fault Indication | 3 | 1 |
| 3 | TX Disable | Transmitter Disable | 3 | 2 |
| 4 | MOD_DEF(2) | <i>I</i> ² <i>C</i> Serial Data Signal SDA | 3 | 3 |
| 5 | MOD_DEF(1) | <i>I</i> ² <i>C</i> Serial Clock Signal SCL | 3 | 3 |
| 6 | MOD_DEF(0) | Grounded in Module | 3 | 3 |
| 7 | Rate Select | Not Connected | 3 | |
| 8 | LOS | Receiver Loss of Signal Indicator (Active high, open-drain) | 3 | 4 |
| 9 | VeeR | Receiver Ground | 1 | |
| 10 | VeeR | Receiver Ground | 1 | |
| 11 | VeeR | Receiver Ground | 1 | |
| 12 | RD- | Inv. Received Data Out | 3 | 5 |
| 13 | RD+ | Received Data Out | 3 | 5 |
| 14 | VeeR | Receiver Ground | 1 | |
| 15 | VccR | Receiver Power Supply | 2 | |
| 16 | VccT | Transmitter Power Supply | 2 | |
| 17 | VeeT | Transmitter Ground | 1 | |
| 18 | TD+ | Transmit Data In | 3 | 6 |
| 19 | TD- | Inv. Transmit Data In | 3 | 6 |
| 20 | VeeT | Transmitter Ground | 1 | 2 |

Notes:

Plug Seq.: Pin engagement sequence during hot plugging.

1. TX Fault is an open collector output, which should be pulled up with a 4.7k~10kΩ resistor on the host board to a voltage between 2.0V and Vcc+0.3V. Logic 0 indicates normal operation; Logic 1 indicates a laser fault of some kind. In the low state, the output will be pulled to less than 0.8V.

2. TX Disable is an input that is used to shut down the transmitter optical output. It is pulled up within the module with a 4.7k~10kΩ resistor. Its states are:

Low (0 to 0.8V): Transmitter on;

Between (>0.8V, < 2.0V): Undefined;

High (2.0 to 3.465V): Transmitter Disabled;

Open: Transmitter Disabled.

3. Mod-Def0, 1, 2: These are the module definition pins. They should be pulled up with a 4.7k~10kΩ resistor on the host board. The pull-up voltage shall be VccT or VccR.

MOD_DEF (0) is grounded by the module to indicate that the module is present.

MOD_DEF (1) is the clock line of two wire serial interface for serial ID SCL.

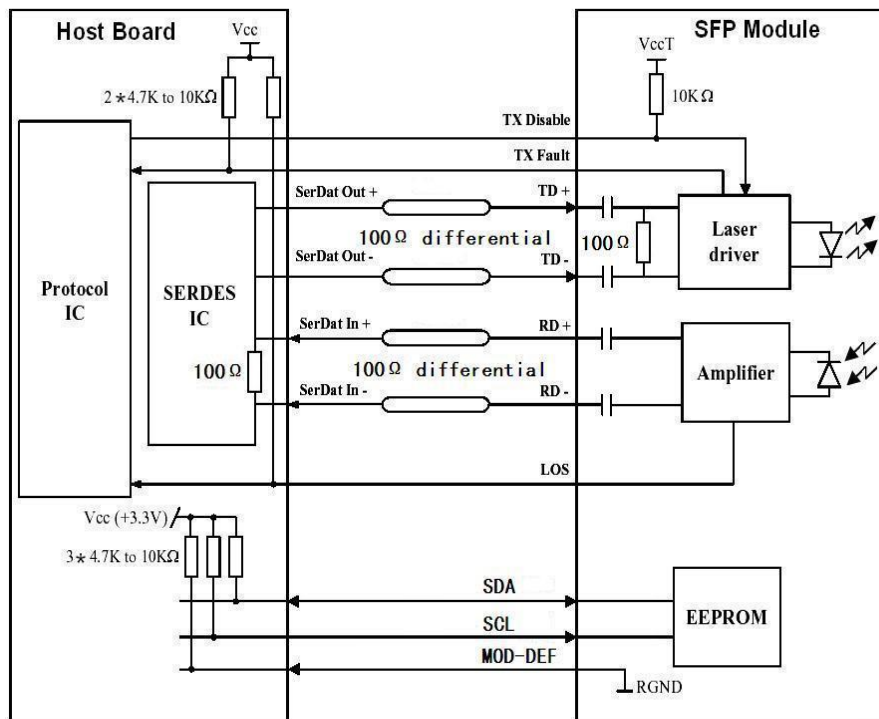
MOD_DEF (2) is the data line of two wire serial interface for serial ID SDA.

4. LOS is an open collector output, which should be pulled up with a 4.7k~10kΩ resistor. Pull up voltage between 2.0V and Vcc+0.3V. Logic 1 indicates loss of signal; Logic 0 indicates normal operation. In the low state, the output will be pulled to less than 0.8V.

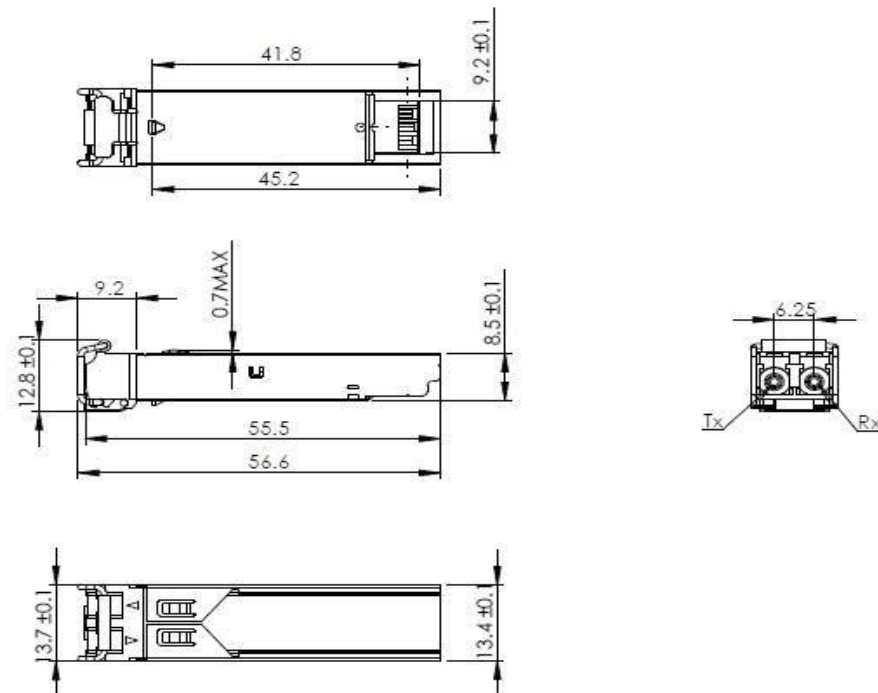
5. RD-/+ : These are the differential receiver outputs. They are internally AC-coupled 100 differential lines which should be terminated with 100Ω (differential) at the user SERDES.

6. TD-/+ : These are the differential transmitter inputs. They are internally AC-coupled, differential lines with 100Ω differential termination inside the module.

Recommended Interface Circuit



Mechanical Dimensions



Ordering information

| Part Number | Product Description |
|-------------|---|
| PSP12-551B | 1550nm, 1.25Gbps, 120km, Duplex LC SFP Transceiver, -5°C~ +70°C, With DDM. |
| PSP12-551BE | 1550nm, 1.25Gbps, 120km, Duplex LC SFP Transceiver, -20°C~ +80°C, With DDM. |
| PSP12-551BT | 1550nm, 1.25Gbps, 120km, Duplex LC SFP Transceiver, -40°C~ +85°C, With DDM. |

References

1. Small Form Factor Pluggable (SFP) Transceiver Multi-Source Agreement (MSA), September 2000.
2. Telcordia GR-253-CORE Specifications.
3. "Diagnostic Monitoring Interface for Optical Transceivers" SFF-8472, Rev 10.2, June 1, 2007.
4. IEEE802.3ah 2004.

Important Notice

Performance figures, data and any illustrative material provided in this data sheet are typical and must be specifically confirmed in writing by PRIMUS IT before they become applicable to any particular order or contract. In accordance with the PRIMUS IT policy of continuous improvement specifications may change without notice. The publication of information in this data sheet does not imply freedom from patent or other protective rights of PRIMUS IT or others. Further details are available from any PRIMUS IT sales representative.

Contact Information

PRIMUS IT LIMITED

- 1、 HongKong: RM M4/F Continental Mansion 300 King's RD HK
- 2、 Tel:+86 0755-25924025
- 3、 Fax:+86 0755-25924051
- 4、 Website: <http://www.primus-it.com>
- 5、 Email: sales@primus-it.com